

G9-2T HD Stainless

25.0" x 18.0" x 8.0"
(63.5cm x 45.7cm x 20.3cm)

- Four year warranty on grinding burrs
- Portion controlled for the right amount of coffee every time
- Precision burrs for consistent, commercial quality grind
- Two hoppers each hold 6lb (2.72kg) of regular, decaf or specialty coffee beans



Agency:



Specifications

Product #: 24250.0021

Interface: Cabled

Finish: Stainless

Hoppers: Two

Hopper Capacity: 6.00 lbs (2.722 kgs)

Additional Features

Electrical & Capacity

Volts	Amps	Watts	Cord Attached	Plug Type	8oz cups/hr 236ml cups/hr	Input H ² O Temp.	Phase	# Wires plus Ground	Hertz
120	9.4	1128	Yes	NEMA 5-15P	-	60°F (15.5°C)	1	2	60

Plumbing Requirements

PSI	kPa	Fitting Supplied	Water Flow Required (GPM)
-	-	-	-

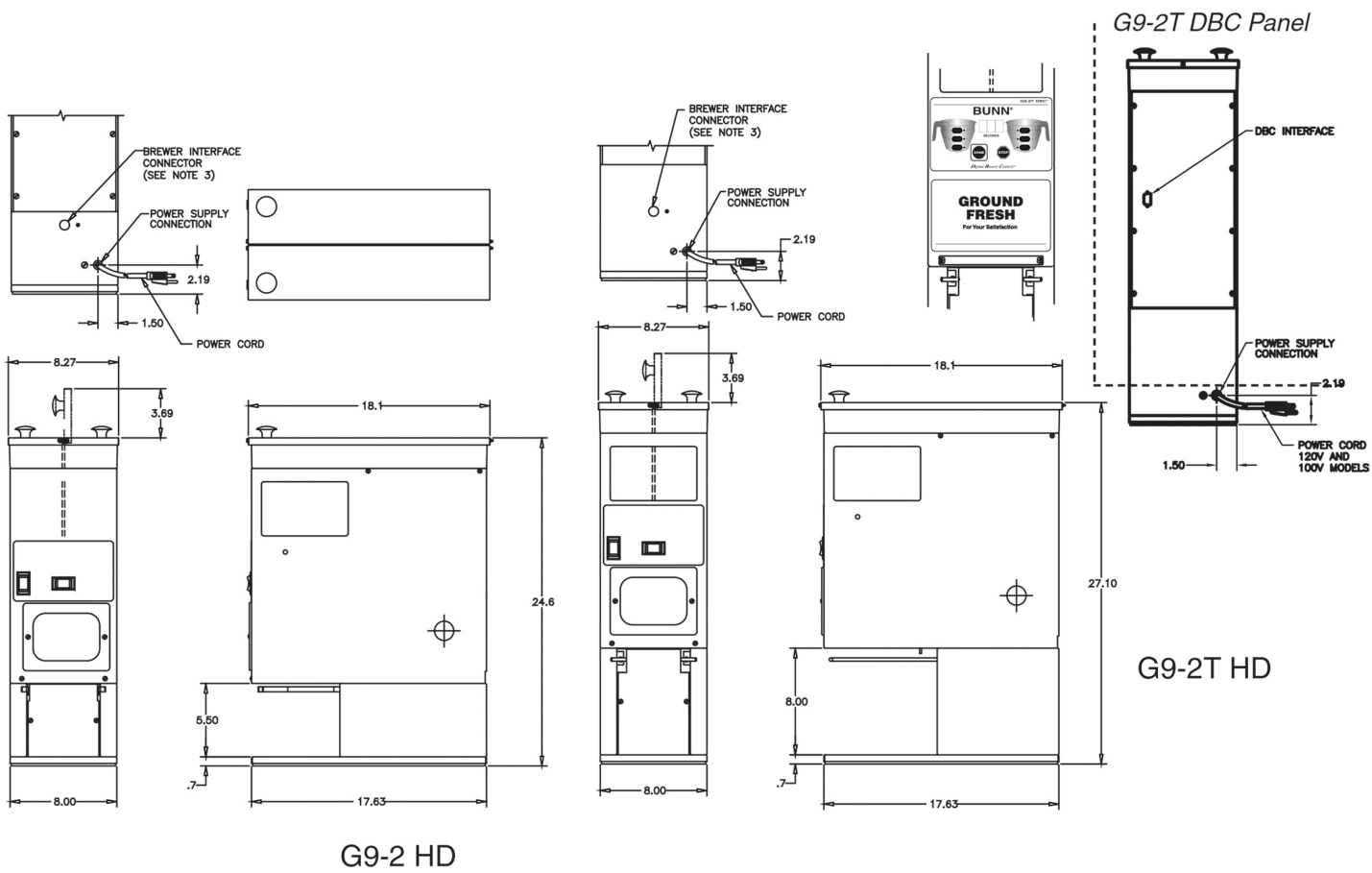
CAD Drawings

2D	Revit	KLC
●		



BUNN® reserves the right to change specifications and product design without notice. Such revisions do not entitle the buyer to corresponding changes, improvements, additions or replacements for previously purchased equipment. For most current specifications and other info visit bunn.com.

Created on:
01/29/2019



G9-2 HD

	Unit			Shipping				
	Width	Height	Depth	Width	Height	Depth	Weight	Volume
English	8.0 in.	25.0 in.	18.0 in.	11.5 in.	30.0 in.	22.4 in.	67.000 lbs	4.472 ft ³
Metric	20.3 cm	63.5 cm	45.7 cm	29.2 cm	76.2 cm	56.9 cm	30.391 kgs	0.127 m ³



BUNN® reserves the right to change specifications and product design without notice. Such revisions do not entitle the buyer to corresponding changes, improvements, additions or replacements for previously purchased equipment. For most current specifications and other info visit bunn.com.

Created on:
01/29/2019